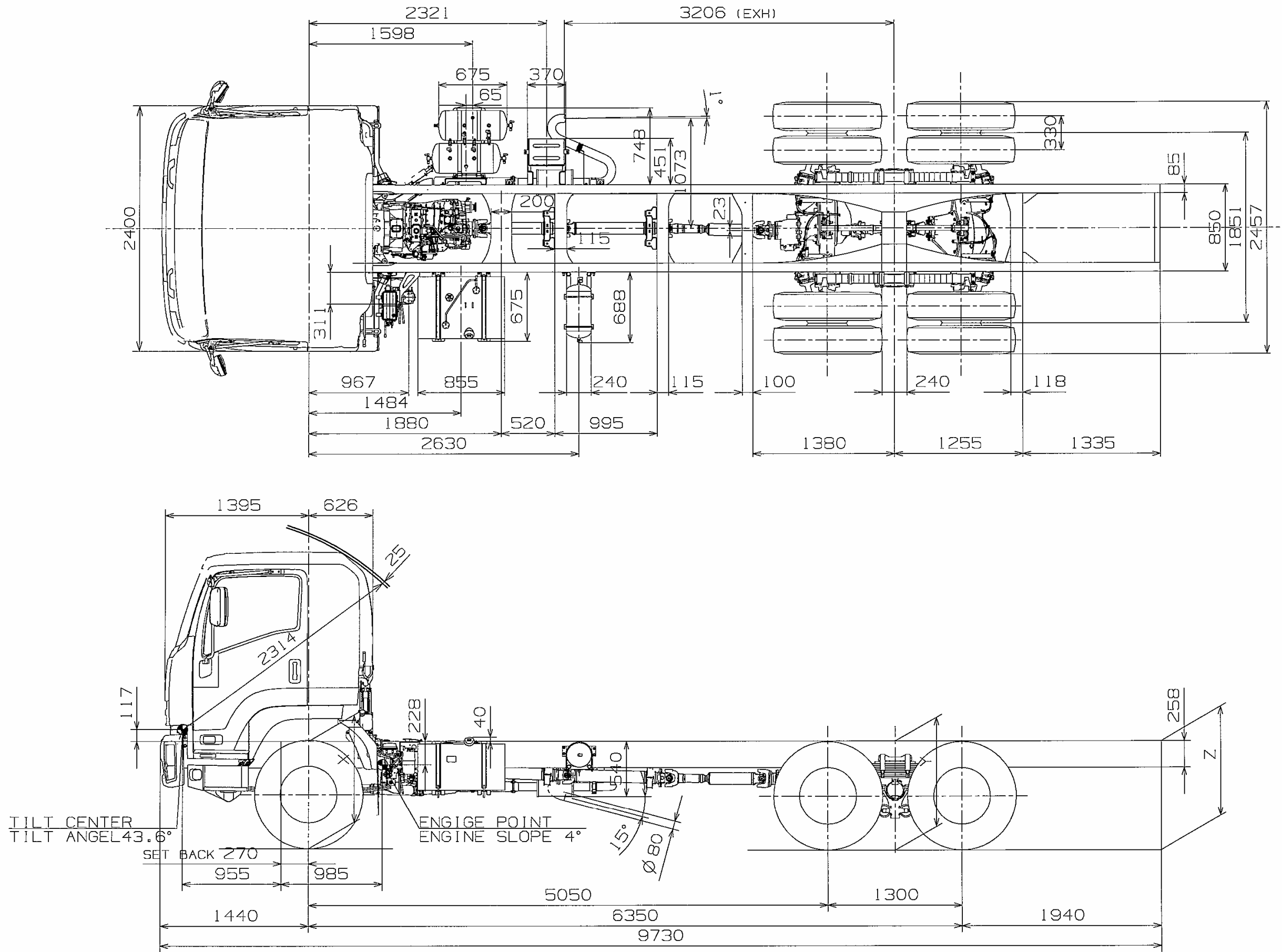


S	Model	FVZ34T-32
1	Engine Model	6HK1-TCS
2	Driving System	6x4
3	Engine Type	Direct injection ,OHC, intercooled turbo
4	No of Cylinders	in Line 6 Cylinders
5	Emission level	Euro 2
6	Bore x Stroke	
7	Displacment cc	7790cc
8	Max Output HP / rpm	206kW (280PS) / 2400rpm
9	Max Torque(kg.m) / rpm	882Nm (90kgm) /1450rpm
10	Compration Ratio	
11	Fuel Filter Water Separator	yes
12	Clutch Type	Dry Single Plate - Hydraulic with cushioning spring with air assist
13	Clutch Size mm	380mm
14	Transmission Type	ZF9S1110
15	Gear Diameter mm	445
16	Gear Ratio	5.571
17	Brake Service	Full Air Dual Circuit wedge type, leading trailing on front and rear wheels
18	Auxiliary Brake	
19	Parking Brake	wheel brake parking
20	Steering Type	Recirculating ball nut type with integral power assist system
21	Steering Gear Ratio	22.4
22	Axle Front	6300kg
23	Axle Rear	Banjo,fully floating 21000kg
24	Suspention,Front	Semi-elliptical alloy steel leaf spring,Hydraulic double acting telescopic shock absorber
25	Suspention,Rear	semi-elliptical alloy steel leaf spring - Trunnion type
26	Frame Type	ladder type channel section-straight frame
27	Frame Size	258x85x10.0+4.5
28	Tire size	10.00R20-14 EXP RIB
29	Disc Wheel	
30	Battery/ Generator	24V 50A (1.2Kw)
31	Starter V	
32	Fuel Tank Lit	200
33	Cabin Type	Wide Cab with bed Space
34	Seat Capacity	Driver Seat + Assist Seat
35	Windshiels	Laminated wind shield
36	GVM	25000Kg
37	Mass Kg	7305Kg
38	WB mm	6350mm
39	OAL mm	9730mm
40	FOH mm	1440mm
41	ROH mm	1940mm
42	CE Platform Length mm	7660mm
43	Width mm	2400mm
44	High mm	2870mm
45	Accessories	A/C Manual Control,Sun Visor,2 Mirror outside,Jack 10 Ton,Tire inflator device,Tachometer,Radio AM-FM & CD Player

Fig. 8-28 Cab-chassis drawing FVZ34UU-TDS



1	Outline
2	Principal Specifications of Various Vehicle Models
3	Precautions for Rear Body Mounting
4	Weight Distribution and Weight Data
5	PTO and Engine Control
6	Various Issues Regarding Electrical Equipments
7	Characteristics of the Springs
8	Cab-Chassis Drawing
9	Chassis Frame Drawings
10	Annex